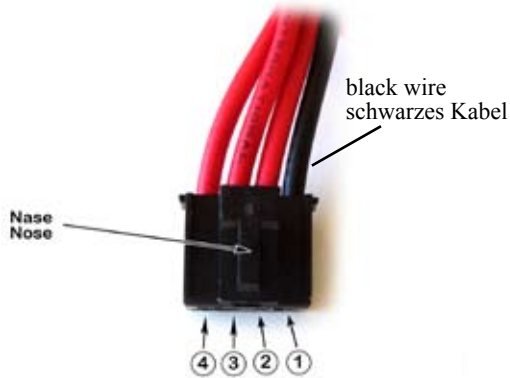


Pinconnection on FlightPower-Hacker EVO 20 Pack Balancer-Lead
 Steckerbelegung des Balancer-Anschluß am FlightPower-Hacker EVO 20 Pack

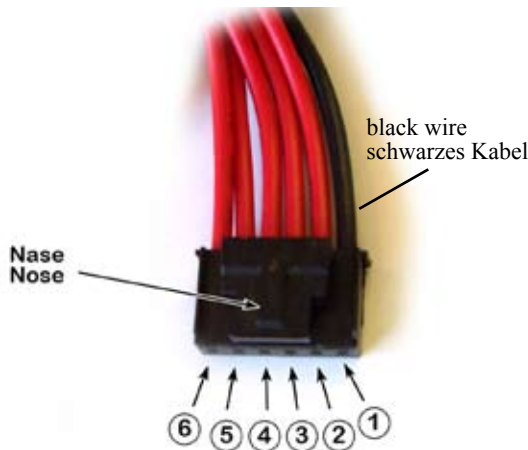


2S-Packs

Pin	2S-Pack	V (nom.)	Cell
1	final neg -	0	Cell#1 neg -
2		3,7	Cell#1 pos + / Cell#2 neg -
3	final pos +	7,4	Cell#2 pos +
4		unused	unused

3S-Packs

Pin	3S-Pack	V (nom.)	Cell
1	final neg -	0	Cell#1 neg -
2		3,7	Cell#1 pos + / Cell#2 neg -
3		7,4	Cell#2 pos + / Cell#3 neg -
4	final pos +	11,1	Cell#3 pos +

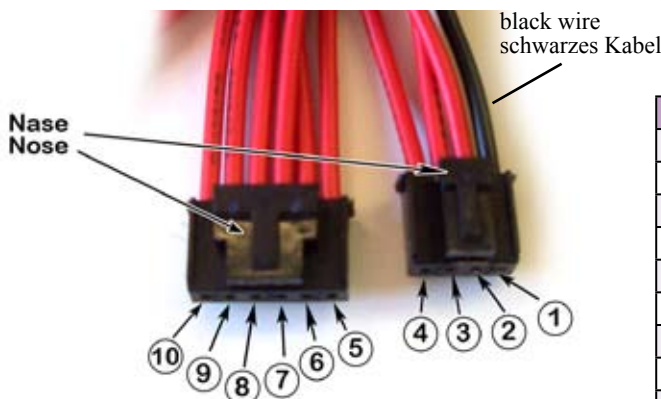


4S-Packs

Pin	4S-Pack	V (nom.)	Cell
1	final neg -	0	Cell#1 neg -
2		3,7	Cell#1 pos + / Cell#2 neg -
3		7,4	Cell#2 pos + / Cell#3 neg -
4		11,1	Cell#3 pos + / Cell#4 neg -
5			
6	final pos +	14,8	Cell#4 pos +

5S-Packs

Pin	5S-Pack	V (nom.)	Cell
1	final neg -	0	Cell#1 neg -
2		3,7	Cell#1 pos + / Cell#2 neg -
3		7,4	Cell#2 pos + / Cell#3 neg -
4		11,1	Cell#3 pos + / Cell#4 neg -
5		14,8	Cell#4 pos + / Cell#5 neg -
6	final pos +	18,5	Cell#5 pos +



6S-Packs

Pin	5S-Pack	V (nom.)	Cell
1	final neg -	0	Cell#1 neg -
2		3,7	Cell#1 pos + / Cell#2 neg -
3		7,4	Cell#2 pos + / Cell#3 neg -
4			
5		11,1	Cell#3 pos + / Cell#4 neg -
6		14,8	Cell#4 pos + / Cell#5 neg -
7		18,5	Cell#5 pos + / Cell#6 neg -
8	final pos +	22,2	Cell#6 pos +
9		unused	unused
10		unused	unused